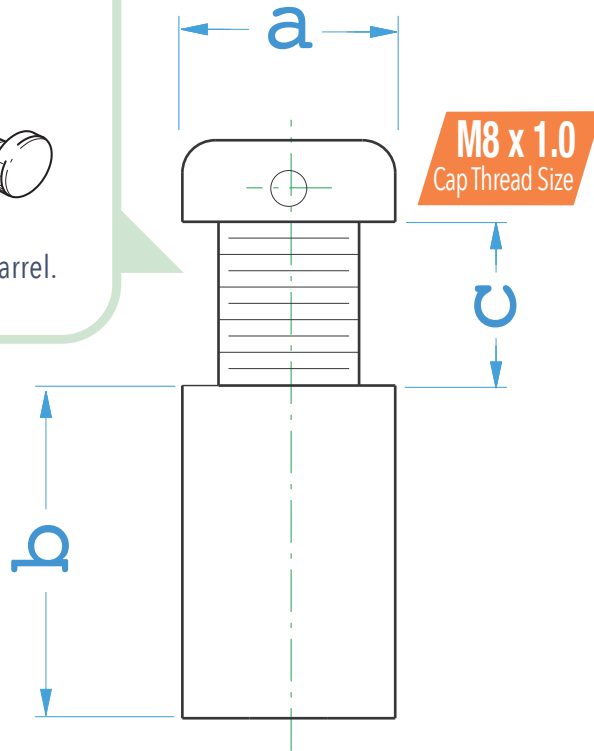


Two Part Fitting - Includes M8 Stud-Cap and Standoff Spacer/Barrel.



Ø1/2" ALUMINUM SIGN STANDOFF – ECONOMY

Part #	Diameter (a)	Length (b)	Panel Thickness (c)	Panel Hole Dia.
WSE1220 -M8 AL	12mm (1/2")	20mm (3/4")	10mm (3/8") max	10mm (3/8")
	Stud-Cap Thread Size	Mount Screw Size	Load Limit	Finish
	M8 x 1.0	No. 8 screw	2kg (5lb) each *Subject to fixing	Satin Chrome